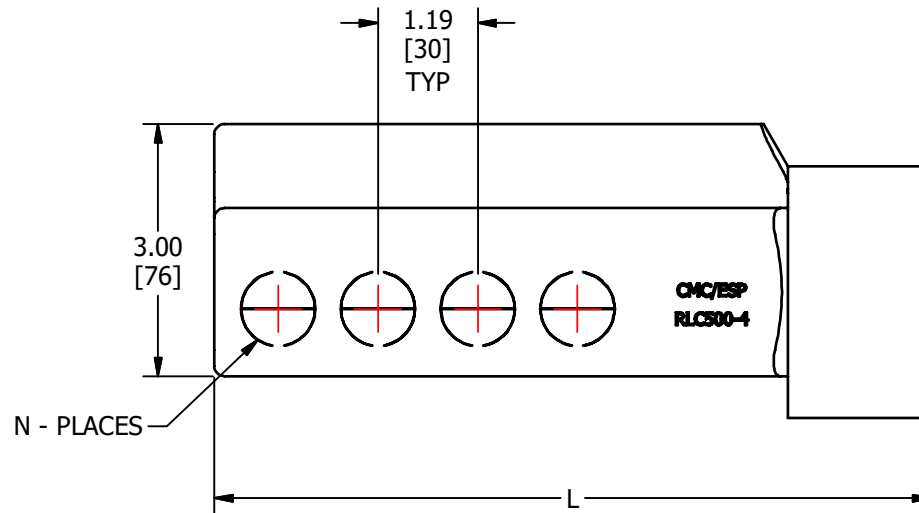
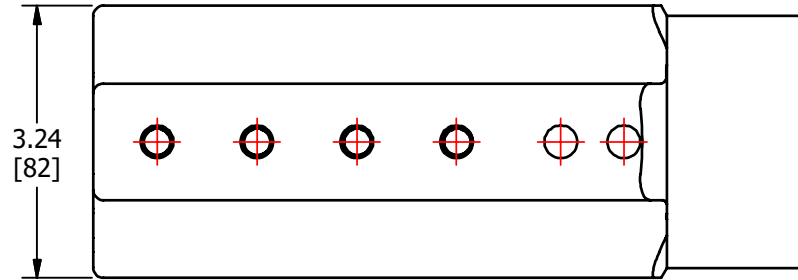
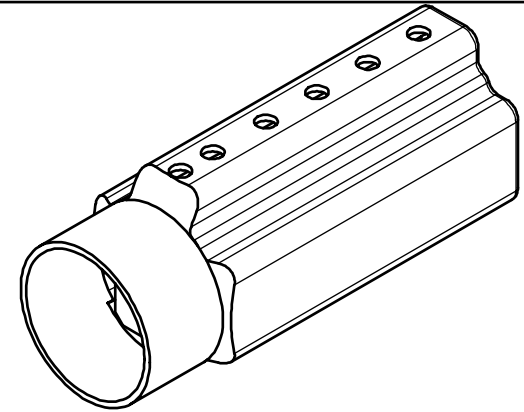


S.NO	CATALOG NUMBER	L	N
1	RLS500-2AI	6.16 [156]	2
2	RLS500-4A	8.53 [217]	4
3	RLS500-4AI	8.53 [217]	4
4	RLS500-6AI	11 [277]	6
5	RLS500-6A	11 [277]	6



FINISH: CLEAR PLATE
MATERIAL: ALUMINUM
CONDUCTOR RANGE: 500 KCMIL - #10 AWG

				TO ORDER CMC PRODUCTS		DRAWN BY: TS 02-27-20		NAME OF PART: STUD MOUNT TRASFORMER CONNECTORS ASSEMBLY		CAT. NO.: SEE TABLE	
				UNITED STATES 1-513-860-4455		CHECKED BY:		DWG NO: C58700288-S (CHARTED)		A	
				CANADA 1-800-361-6975		DRAWING NOT TO SCALE					
				MEXICO 011-52-722-265-4400							
A NEW DRAWING CREATED				02-27-20		TS					
REV. DESCRIPTION				ECN		INIT.					

THIS INFORMATION IS PROPRIETARY TO CONNECTOR MFG. CO. AND IS NOT TO BE DISCLOSED OUTSIDE OF CONNECTOR MFG. CO. WITHOUT A CONFIDENTIALITY AGREEMENT



CONNECTOR MANUFACTURING CO.

HAMILTON, OHIO